

# Berkeley County Public Service Water District

251 Caperton Blvd., Martinsburg, WV 25403

Phone (304) 267-4600

Fax (304) 267-3864



## RT 38 BLAIRTON ROAD 12" AND 16" PARALLEL DISTRIBUTION SYSTEM IMPROVEMENTS ADDENDUM NO. 2 November 8, 2018

TO ALL BIDDERS:

### QUESTIONS FROM PROSPECTIVE BIDDERS

Below please find a few items we request clarification:

1. **Question:** Spec Section 02300 3.05H is requiring a 1.0' undercut when rock is encountered. Drawing 17- the trench details are calling for .5' of undercut for rock. What will be the depth of undercut required when rock is encountered?

**Answer: 6 inches.**

2. **Question:** Spec 02300 2.03- Is it the Engineer's intent to have the pipe trenches wrapped in fabric prior to the placement of backfill?

**Answer: No. Section 02300, Paragraph 2.03 is not applicable to this project.**

3. **Question:** Spec 02300 2.01- Please clarify what the acceptable (max) rock fragment size of nature fill be allowed for the pipe trench backfill material.

**Answer: Replace the paragraph "Site FILL" with the following:**

**"Site FILL: Suitable backfill material shall consist of material containing good earth and stone excavated from the trench, with stone material not exceeding 6 inches across, uniformly distributed. Suitable backfill material shall not consist of more than 50 percent stone by volume."**

4. **Question:** Spec 02300 3.05 I requires filling all openings and fractures in excavation bottom and sides with cement grout. Will this specification be required for this project?

**Answer: No. Section 02300, Paragraph 3.05 I is not applicable to this project.**

5. **Question:** E&S Control: The drawings do not define the location of silt fence for this project. Are we to assume it will be required along the entire length of the easement?

**Answer: No.** The Contractor will be required to provide silt fence where necessary to control runoff of silt from the disturbed area and soil stockpiles into waterways or areas beyond the easement limits, including roadways and adjacent properties. It is not required that the entire project have silt fence installed at the start of the project; the silt fence only needs to be in place prior to excavation of a given reach of water main or prior to any construction-related activity that may result in silt runoff (eg. disturbance from construction equipment or soil stockpiling). All areas must be stabilized within 200 linear feet of ongoing excavation. Silt fence shall be maintained until the disturbed area is stabilized (70% vegetative cover), after which it may be removed. Therefore, the total footage of silt fence will depend, in part, on the construction methods, the slope of the ground, and weather.

6. **Question:** Spec 03300- States use of corrosion-inhibiting admixture and 1.5# of fiber as part of the concrete mix design. Will this be required for the thrust blocks and concrete anchors?

**Answer: No.**

7. **Question:** Drawings 8 and 9 appear to show that the new lines will be located on the existing railroad bed. Please define the requirements for existing railroad ties that may be encountered during the excavation process (i.e. will they be left on site? Must they be disposed of off-site? If so, are they to be considered "hazardous" in any way?)

**Answer: Any existing railroad ties or rail sections encountered on the project shall be left on the property.**

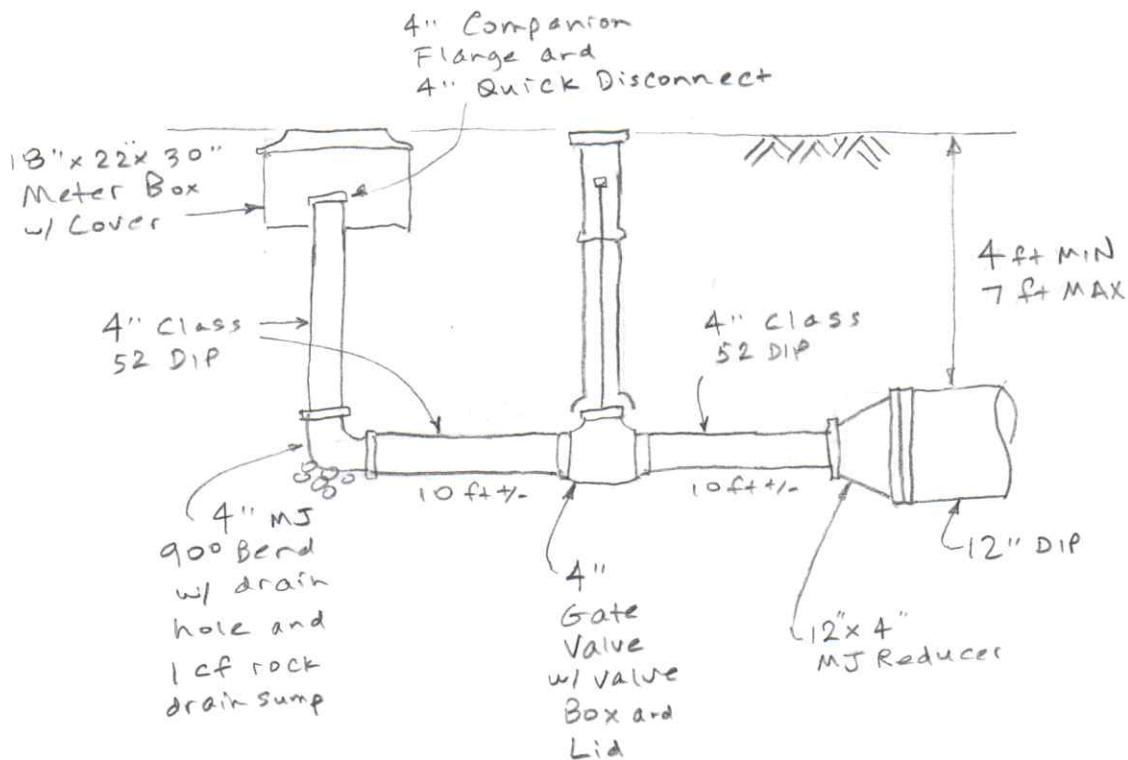
8. **Question:** The Drawings do not provide a detail for the 4-inch blow-offs shown on Drawing 5. Where are the 4-inch blow-offs shown on the bid form?

**Answer: The 4-inch blow-offs are called out at the end of the project on Golf Course Road. Bid item number 16 includes the 4-inch blow-off. Attached is a detail for this bid item. There is no cap required on the 12-inch main.**

**ATTACHMENTS (1 PAGE):**

1. 4-inch blow-off detail

## 4" BLOW-OFF SETTING



### Notes

1. All-thread rod the 4" MS 90° Bend to the 12" x 4" MS reducer.
2. Provide MEGALUGS on each fitting and valve.
3. Supply 50 feet of new hose to the District.